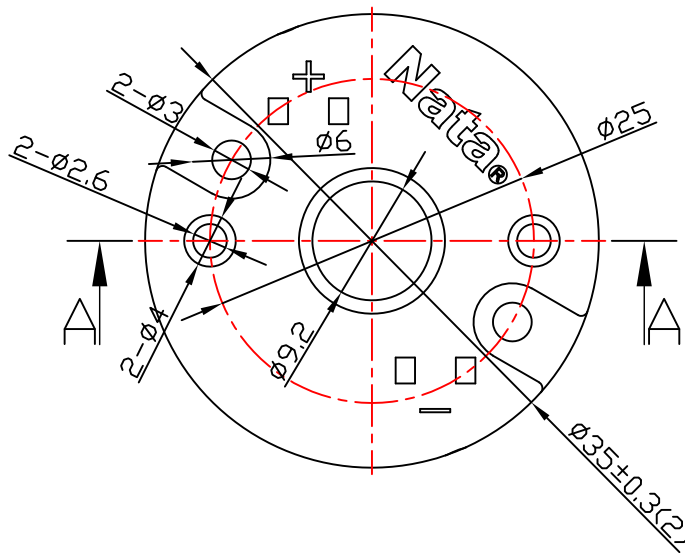
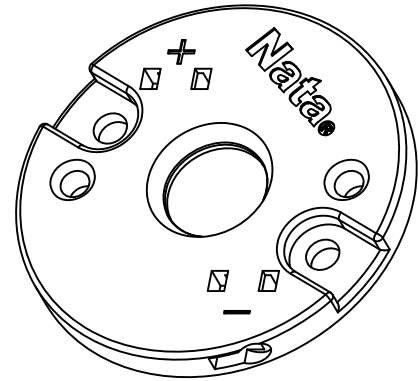
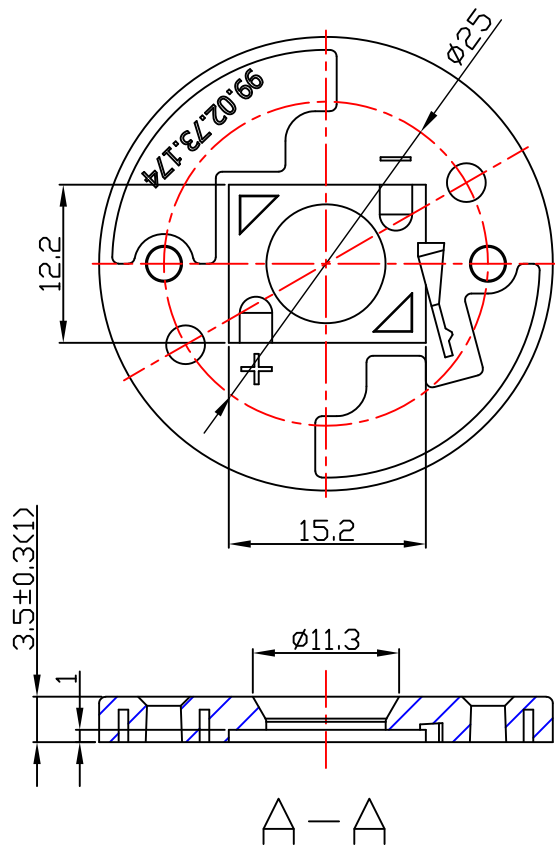

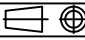


Table for unmentioned tolerance in the drawing (unit: mm)					
0-5	5-30	30-120	120-250	250-400	400-700
±0.15	±0.2	±0.5	±0.8	±1.5	±2



Electric wires:  
 $0.32\text{mm}^2 \sim 0.81\text{mm}^2$   
 18AWG, 20AWG, 22AWG  
 Tin plating after  
 stripping 7mm

					Material:PBT		 <b>NATA Lighting Co.,Ltd</b>	
Mark	Amended Times	Amended Content		Signature	Amended Date	Customer Item		
Control Version	A0	Design Version	K0	Client Version		Customer Code		NT
Designer		Drawing by		Proportion	1:1	Product Number		99.02.73.174
Technology		Auditor		View		Product Name		1202s免焊支架 D35xH3.5
Approval		Date	2019.03.28	Page	Total_ Page_			